

TYPE 10RYB

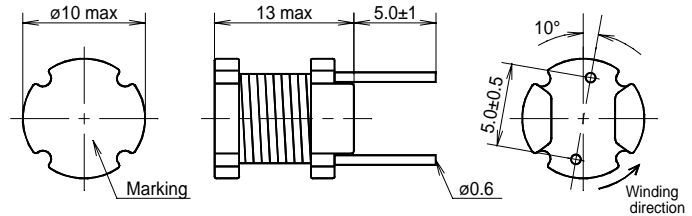
Frequency Range: 1~200kHz

Inductance Range: 10~3900μH

Features

- Ideal as a choke coil for noise filtering and DC/DC converter application.

Note: Taped form is type 10RYT.



(Unit: mm)

Selection Guide for Standard Coils

TYPE 10RYB

TOKO Part Number	Inductance L (μH)	DC Resistance (Ω) max.	Rated DC Current (A) max.	Self-resonant Frequency (MHz) min.
7021LYF-100K	10 ± 10%	0.045	3.1	41
7021LYF-120K	12 ± 10%	0.046	2.8	35
7021LYF-150K	15 ± 10%	0.053	2.4	30
7021LYF-180K	18 ± 10%	0.055	2.3	23
7021LYF-220K	22 ± 10%	0.063	2.0	14
7021LYF-270K	27 ± 10%	0.069	1.9	8.0
7021LYF-330K	33 ± 10%	0.080	1.7	7.0
7021LYF-390K	39 ± 10%	0.084	1.6	5.0
7021LYF-470K	47 ± 10%	0.10	1.4	4.9
7021LYF-560K	56 ± 10%	0.10	1.3	4.5
7021LYF-680K	68 ± 10%	0.12	1.1	4.0
7021LYF-820K	82 ± 10%	0.13	1.0	3.5
7021LYF-101K	100 ± 10%	0.15	0.98	3.4
7021LYF-121K	120 ± 10%	0.16	0.85	3.0
7021LYF-151K	150 ± 10%	0.19	0.80	2.5
7021LYF-181K	180 ± 10%	0.21	0.75	2.5
7021LYF-221K	220 ± 10%	0.38	0.67	2.2
7021LYF-271K	270 ± 10%	0.43	0.58	1.8
7021LYF-331K	330 ± 10%	0.47	0.53	1.9
7021LYF-391K	390 ± 10%	0.54	0.49	1.6
7021LYF-471K	470 ± 10%	0.62	0.40	1.4
7021LYF-561K	560 ± 10%	0.69	0.40	1.4
7021LYF-681K	680 ± 10%	0.77	0.38	1.3
7021LYF-821K	820 ± 10%	1.2	0.34	1.1
7021LYF-102K	1000 ± 10%	1.4	0.31	1.0
7021LYF-122K	1200 ± 10%	1.6	0.28	0.95
7021LYF-152K	1500 ± 10%	1.8	0.25	0.88
7021LYF-182K	1800 ± 10%	2.0	0.24	0.85
7021LYF-222K	2200 ± 10%	2.3	0.20	0.78
7021LYF-272K	2700 ± 10%	3.3	0.18	0.59
7021LYF-332K	3300 ± 10%	3.6	0.17	0.56
7021LYF-392K	3900 ± 10%	4.0	0.16	0.54

(1) Inductance is measured at f=1kHz, Vosc=1V on LCR meter HP4284A or equivalent.

(2) The rated DC current is that which the inductance value decreases 10% by the excitation of DC current.

(3) Self-resonant frequency is measured with Network Analyzer 3577A(HP), MS560J(Anritsu) or equivalent.

(4) DC resistance is measured with Digital Multimeter TR6871(Advantest) or equivalent.

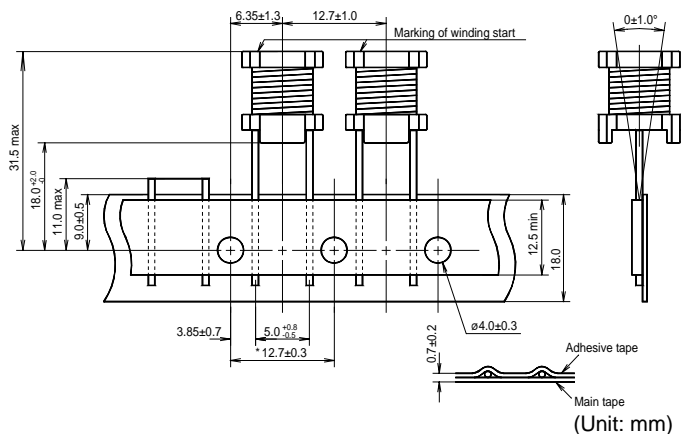
TYPE 10RYT

Frequency Range: 1~200kHz

Inductance Range: 10~3900μH

Features

- Ideal as a choke coil for noise filtering and DC/DC converter application.
- Tape and reel for automated assembly.



Selection Guide for Standard Coils

TYPE 10RYT

TOKO Part Number	Inductance L (μH)	DC Resistance (Ω) max.	Rated DC Current (A) max.	Self-resonant Frequency (MHz) min.
A7022LYF-100K=R	10 ± 10%	0.045	3.1	41
A7022LYF-120K=R	12 ± 10%	0.046	2.8	35
A7022LYF-150K=R	15 ± 10%	0.053	2.4	30
A7022LYF-180K=R	18 ± 10%	0.055	2.3	23
A7022LYF-220K=R	22 ± 10%	0.063	2.0	14
A7022LYF-270K=R	27 ± 10%	0.069	1.9	8.0
A7022LYF-330K=R	33 ± 10%	0.080	1.7	7.0
A7022LYF-390K=R	39 ± 10%	0.084	1.6	5.0
A7022LYF-470K=R	47 ± 10%	0.10	1.4	4.9
A7022LYF-560K=R	56 ± 10%	0.10	1.3	4.5
A7022LYF-680K=R	68 ± 10%	0.12	1.1	4.0
A7022LYF-820K=R	82 ± 10%	0.13	1.0	3.5
A7022LYF-101K=R	100 ± 10%	0.15	0.98	3.4
A7022LYF-121K=R	120 ± 10%	0.16	0.85	3.0
A7022LYF-151K=R	150 ± 10%	0.19	0.80	2.5
A7022LYF-181K=R	180 ± 10%	0.21	0.75	2.5
A7022LYF-221K=R	220 ± 10%	0.38	0.67	2.2
A7022LYF-271K=R	270 ± 10%	0.43	0.58	1.8
A7022LYF-331K=R	330 ± 10%	0.47	0.53	1.9
A7022LYF-391K=R	390 ± 10%	0.54	0.49	1.6
A7022LYF-471K=R	470 ± 10%	0.62	0.40	1.4
A7022LYF-561K=R	560 ± 10%	0.69	0.40	1.4
A7022LYF-681K=R	680 ± 10%	0.77	0.38	1.3
A7022LYF-821K=R	820 ± 10%	1.2	0.34	1.1
A7022LYF-102K=R	1000 ± 10%	1.4	0.31	1.0
A7022LYF-122K=R	1200 ± 10%	1.6	0.28	0.95
A7022LYF-152K=R	1500 ± 10%	1.8	0.25	0.88
A7022LYF-182K=R	1800 ± 10%	2.0	0.24	0.85
A7022LYF-222K=R	2200 ± 10%	2.3	0.20	0.78
A7022LYF-272K=R	2700 ± 10%	3.3	0.18	0.59
A7022LYF-332K=R	3300 ± 10%	3.6	0.17	0.56
A7022LYF-392K=R	3900 ± 10%	4.0	0.16	0.54

(1) Inductance is measured at f=1kHz, Vosc=1V on LCR meter HP4284A or equivalent.

(2) The rated DC current is that which the inductance value decreases 10% by the excitation of DC current.

(3) Self-resonant frequency is measured with Network Analyzer 3577A(HP), MS560J(Anritsu) or equivalent.

(4) DC resistance is measured with Digital Multimeter TR6871(Advantest) or equivalent.